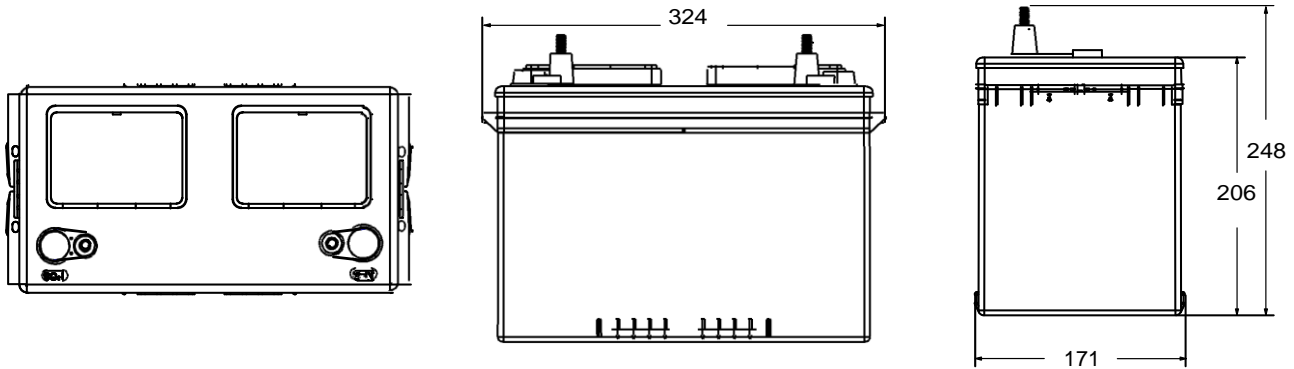
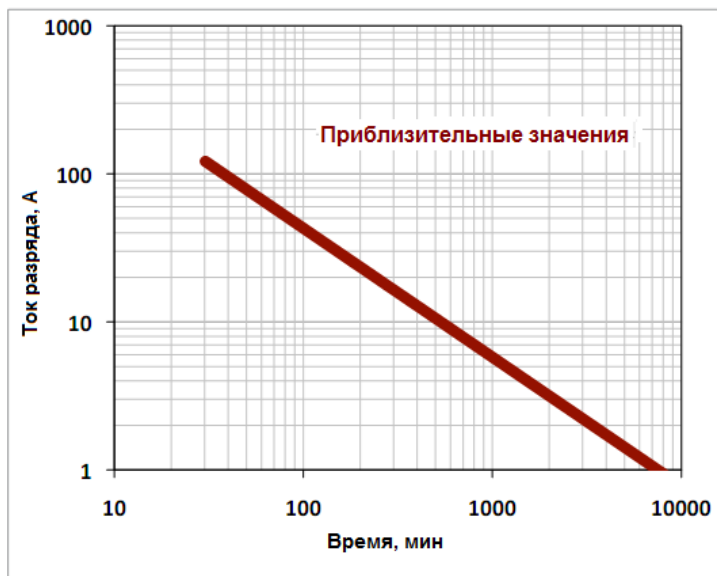


(WNT),



TROJAN 27-TMX



<http://energywind.ru>

